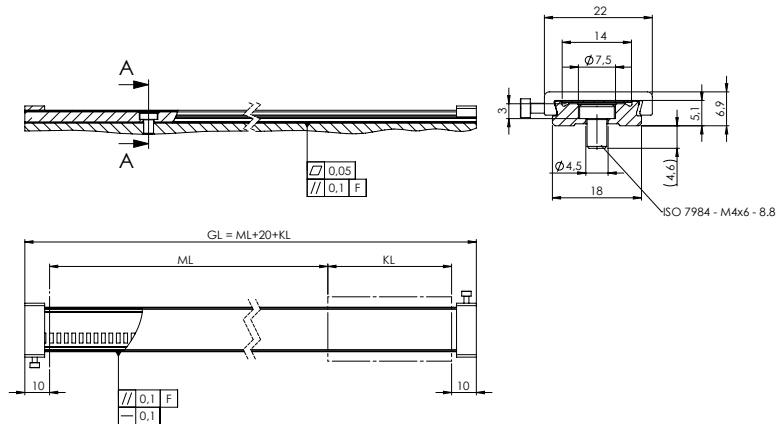
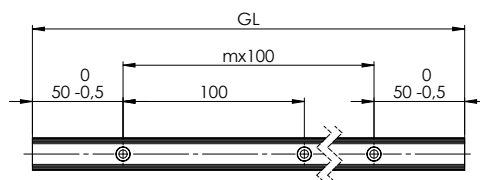


# Scale tape in stainless steel carrier LMT 4030

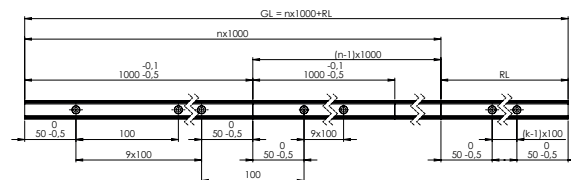
- Scale tape in stainless steel carrier, for modular linear encoders
- Grating period 3000µm
- In combination with scanning head LMK 2030



## Single section carrier LMT 4030 C



## Multi section carrier LMT 4030 D



F = Machine guidance

GL = Total length

ML = Measuring length :

BF 20 : ML = GL - 93mm

BF 21 : ML = GL - 69mm

KL = Scanning head length :

BF 20 : 73mm

BF 21 : 49 mm

## Technical data

Incremental scale tape	LMT 4030	
Grating period	3000µm	
Accuracy class	± 50µm/m	± 50µm/m
Accuracy after linear compensation	± 10µm/m	± 20µm/m
Total length GL	Standard length see ordering code	
Mechanical design	Stainless steel carrier with integrated scale tape	
Reference marks	Single or distance coded reference marks – Customized reference mark positions on request.	
Coefficient of expansion	~ 11ppm/K	
Mass	650 g/m Total length	

# Ordering code

- LMT - Incremental scale tape in stainless steel carrier for modular linear encoders
- Grating period 3000µm

